

# AEROCRANE

## Assembly of the Aerocrane Jib



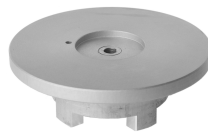
Before you start assembling the Jib Arm, please read this manual carefully.

The crane base, Pedestal, or dolly should be level before use, and keep the crane jib as balanced as possible during assembly.

Safe working load on spoon (swl) = 41Kg (90 lbs)  
Maximum weight in bucket = 96Kg (211 lbs)



When assembling the jib arm on a base or dolly equipped with an Elemack boss, you should start with the leveling-head. Slide the leveling-head over the Elemack boss and turn the wheel clockwise in the leveling-head to secure the leveling-head onto the Elemack boss. It is advisable to use the punch which fits into the wheel.



If you wish to build the jib directly on a Mitchell base, attach the Mitchell fulcrum adapter to the fulcrum.

To use the leveling-head combined with the Mitchell fulcrum adapter, attach the euro-riser to the Mitchell fulcrum adapter.





Place the fulcrum onto the leveling-head and turn the wheel in the fulcrum clockwise and tighten the tie down bolt with the Swiss punch.





Before you begin to assemble the arm sections, you should level the fulcrum. The fulcrum has a level on the tie down bolt.

Place the mid arm section in a horizontal position and engage the pan and tilt brake. Before you connect an arm section, first attach a parallel rod. The parallel rod should be of the same length as the arm section you intent to connect.







The arm sections are connected by a specially made coupling. The coupling consists of a male and female section. The oval opening in the female part should be in the upright position to allow the male part to slide into the female coupling.



After the coupling is joined together you must turn the wheel 90 degrees in the female coupling. If this is done correctly, you should see two black dots on either side of the coupling aligned. If it is impossible to turn the wheel in the female coupling, either the two coupling halves are not properly fitted together, or the hammer bolt of the male coupling should be unscrewed further.



Once the dots are properly aligned, tighten the hammer bolt with the Swiss punch in the close direction, being careful not to over tighten. Warning, over-tightening may cause damage to the equipment.



The assembly of the other sections to build the jib or crane to the desired length can be done in the same sequence as described before.



There are two different arm end sections: the 2 foot nose section, and the 1 foot tail section. Shown with these instructions is a detail of the 2 foot nose section.



Both sections are provided with their own parallel rod.



After connecting the end-sections, you can connect the tail and nose plate to the parallel rod by sliding the collar on the parallel rod backwards. Thereafter, you can slide the male part attached to both tail and nose plate into the female part of the parallel rods.

After connecting all the desired arm sections, you can attach/hook up the weight bucket on the bucket side and on the camera side the low angle or spoonbill.



Support the mounted arm section as shown on the picture below.





Balance the arm by putting some weight in the bucket, but maintain downward force on the support in the front end.

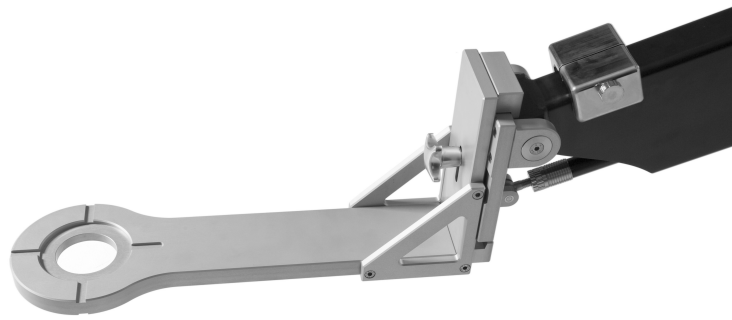




If the jib arm is used as a camera crane, it is advisable, for reasons of stability, to use the cable's with outriggers.

Place the cable outriggers in the mid-section of the fulcrum and attach the cable's onto the putt-eye's. The turnbuckles should be on the weight bucket end.

When the jib arm is configured as a camera crane, a 2 foot section, i.e. with the handles, should be mounted between the fulcrum and weight bucket.



To fine-tune the balance of the crane or jib, you can use the sliding weight.

These procedures are used for all configurations of the jib.

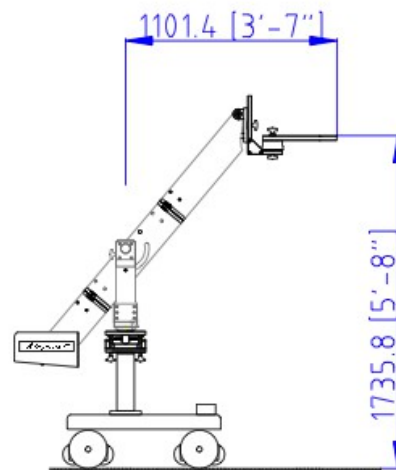
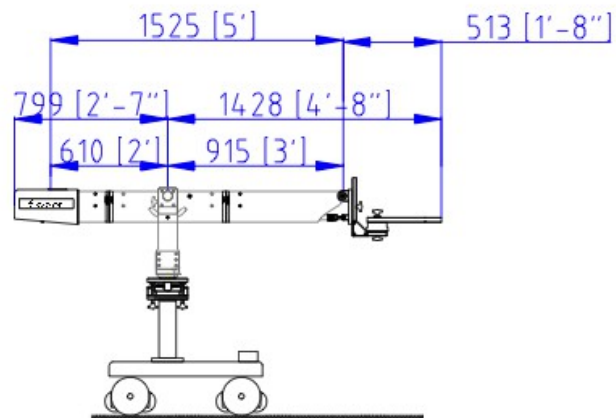
N.B. The one foot section should only be used for downscaling the arm length, and should not be used as an extra extension on either side of the fulcrum.

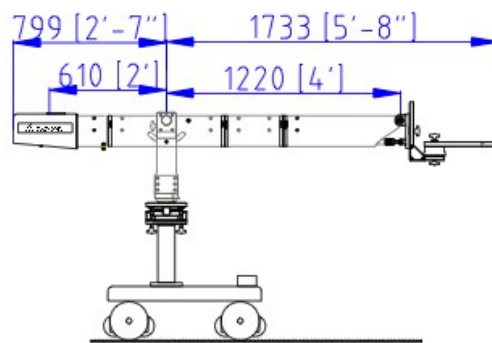
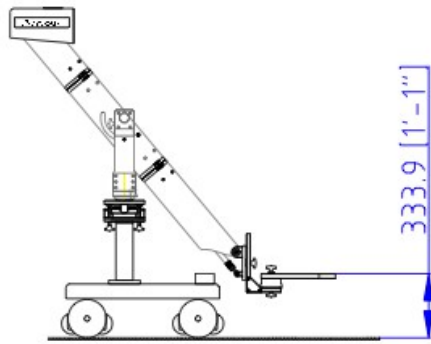
A full bucket with lead does not exceed the safety margin of the crane if the crane or jib has been assembled according these instructions.  
Under no circumstance is it allowed to put extra weight on the bucket.

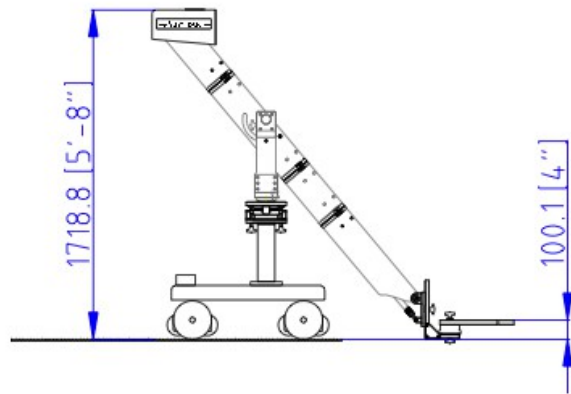
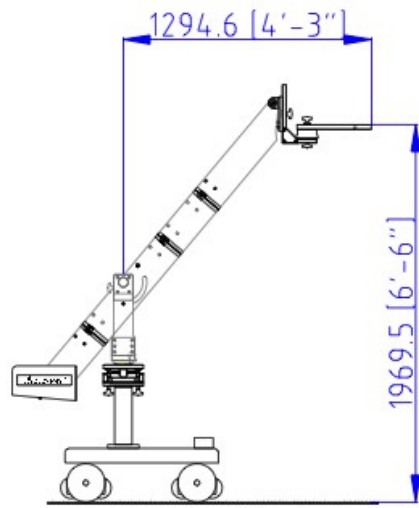
If you have followed all these instructions, God will be with you to prevent you of any accident.

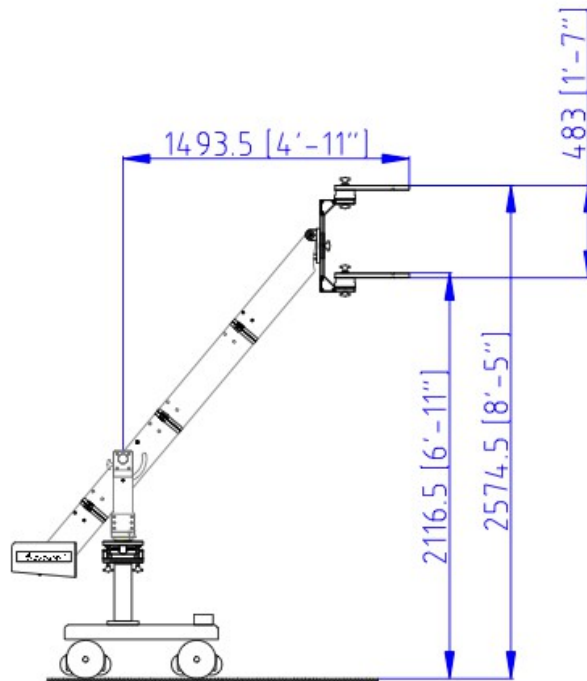
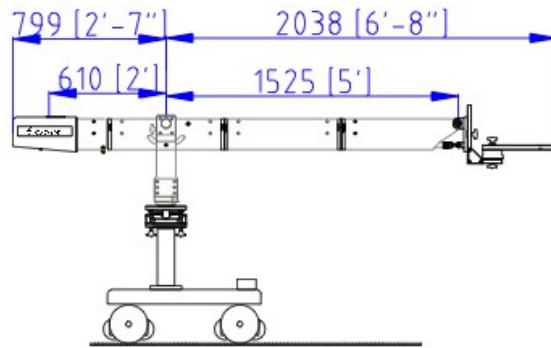


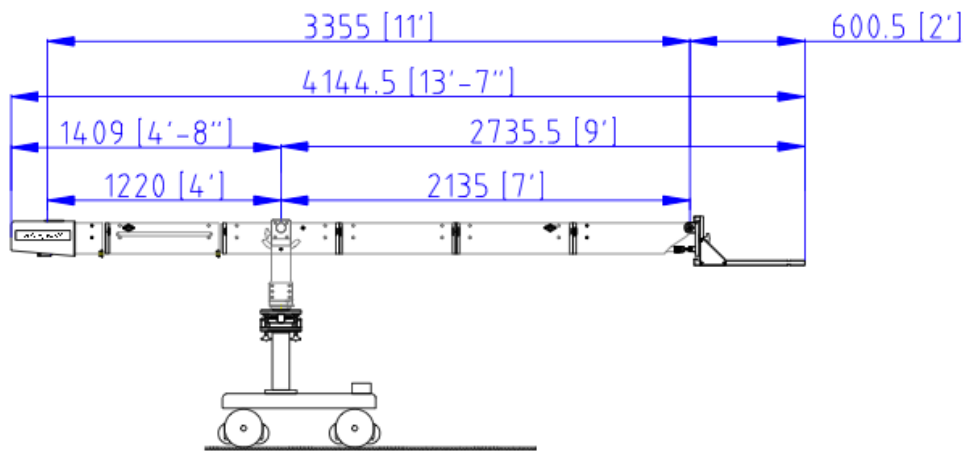
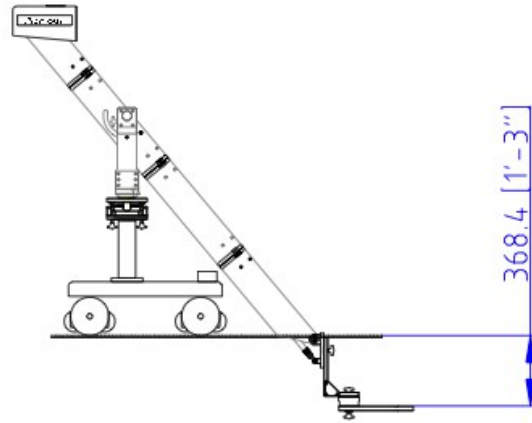
Possible configurations are:

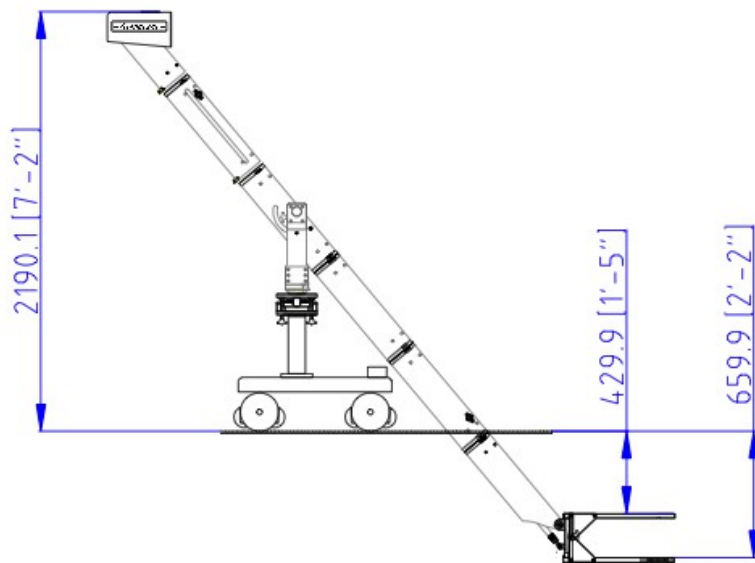
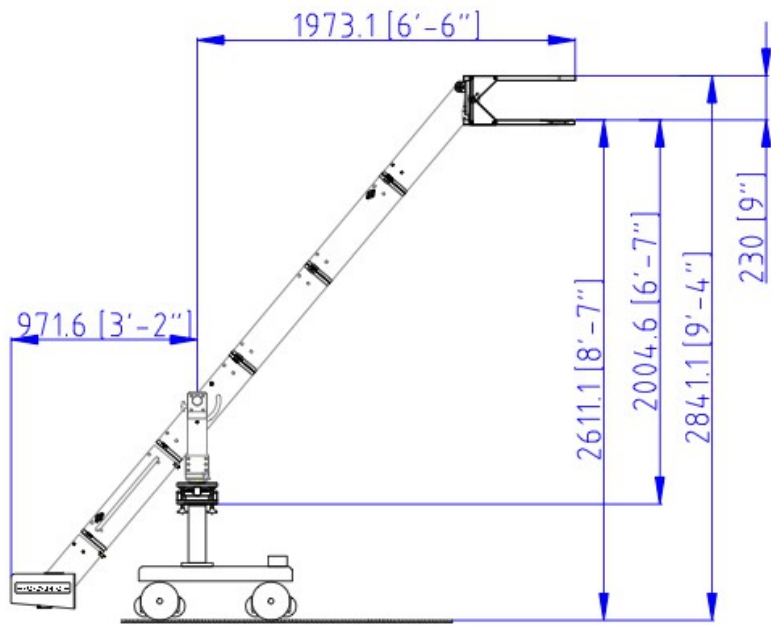












It should be noted that the complete Jib can be transported in three flight cases for ease of delivery to the site.









Aerocrane b.v. 2018

[www.aerocrane.eu](http://www.aerocrane.eu)