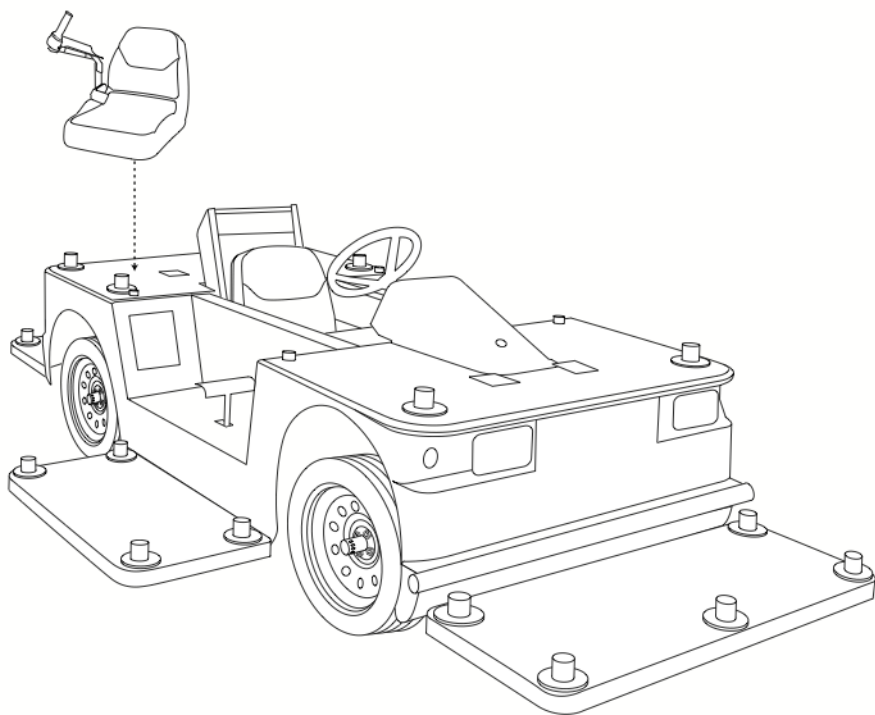


"The Stinger"

Electric Camera Car



Technical Specifications

Car

Width 4' 11" (59")

Length 9' 4" (112")

Height 2' 6" (30")

Wheelbase 5' 8" (68")

Weight 1200 lbs.

Top Speed 50 mph

Max. Weight Capacity 1500 lbs.

Max. Towing Capacity 4000 lbs

Decks & Platforms

Removable Platforms:

Front & Rear 18" x 40"

Right & Left 19" x 40"

Front Deck 36" x 48"

Rear Deck 33" x 48"

**The
Crane
Company.**

13105 Salicoy Street
North Hollywood, CA 91605
818.252.7700 / 310.403.2820